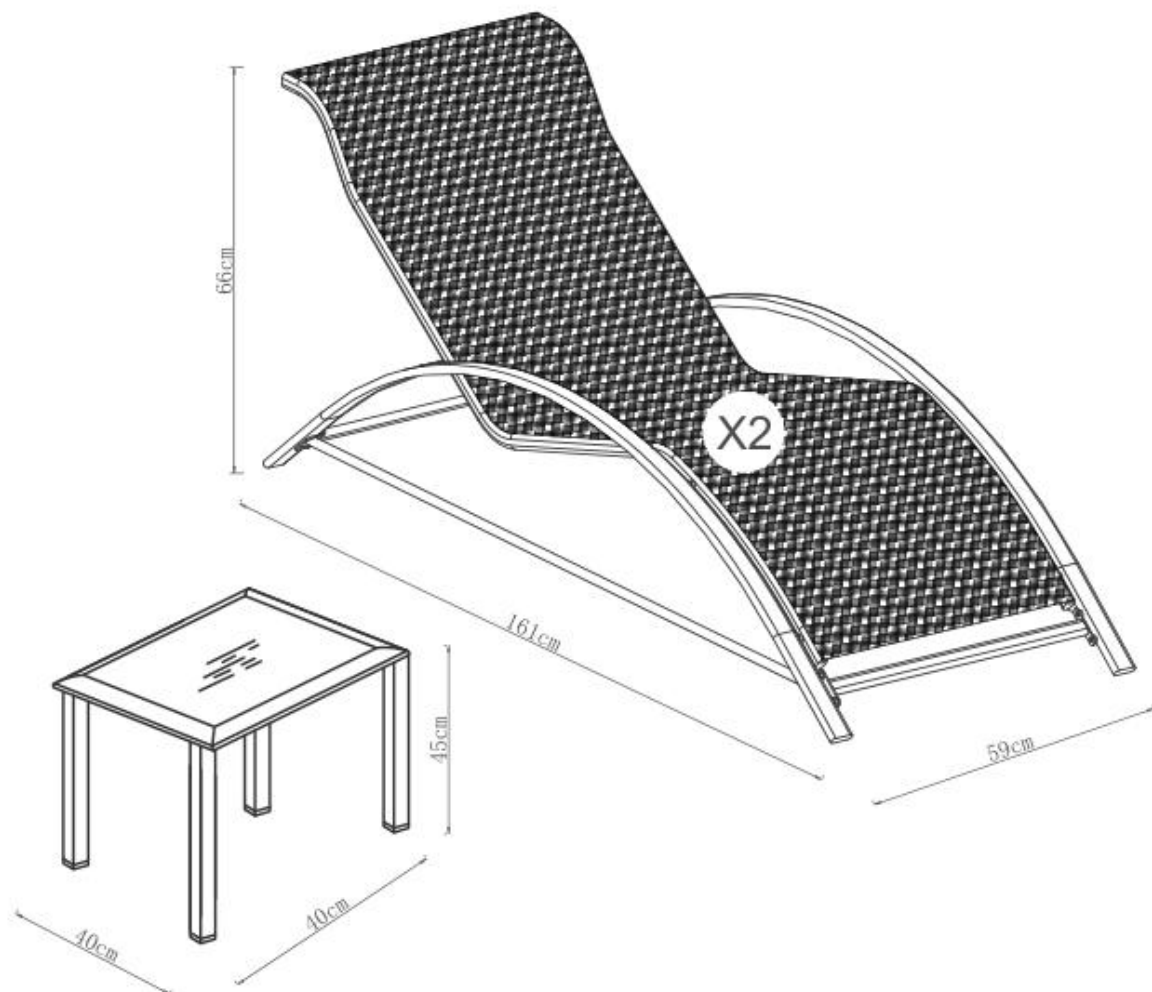


ASSEMBLY INSTRUCTIONS

MELANOS

3 Piece Sun Lounge Setting

ITEM CODE 77826




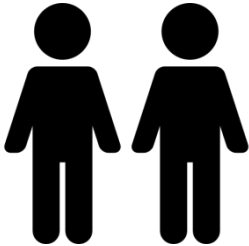

Imported by JWA Furniture Pty Ltd, Brisbane, QLD, Australia

For any assistance with assembly or for missing parts, please refer to your receipt

PRE-ASSEMBLY PREPARATION

Before you start:

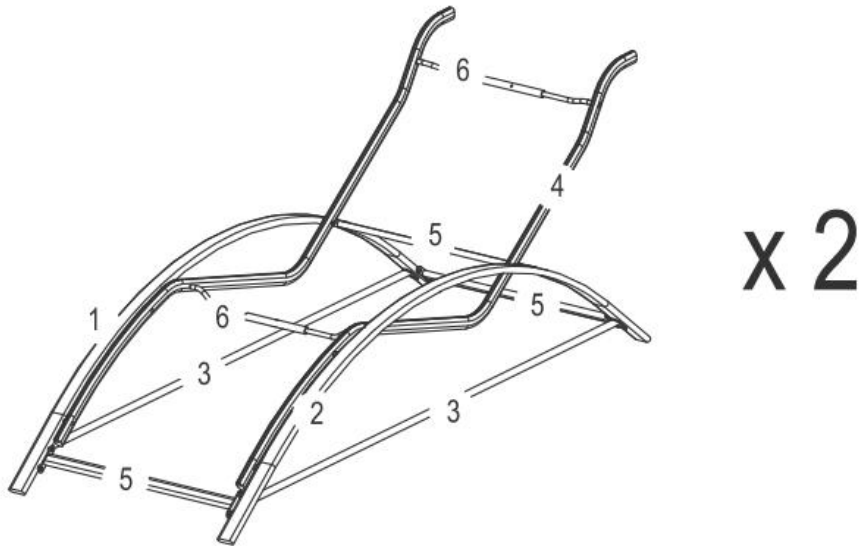
1. Choose a clean, level, spacious assembly area. Avoid hard surfaces that may damage the product
2. Take care when lifting. Product should be assembled as near as possible to the point of use
3. Ensure that you have all required contents for complete assembly
4. Always read the assembly instructions carefully before beginning assembly.
5. Keep all hardware parts and packaging out of reach of small children.
6. Do not over tighten the screws and bolts as this may damage the threads
7. Assembly is to be carried out by a competent adult(s) ONLY
8. During assembly, children should be kept away from the product due to possible risk to injury.
9. Do not use this item if any components are missing or damaged.
10. Please keep the instructions for future reference.

		
Allow 60min	For 2 person	You will need a tape measure.







PARTS LIST

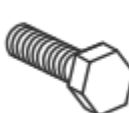
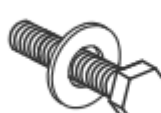


Sun Lounge

PARTS LIST



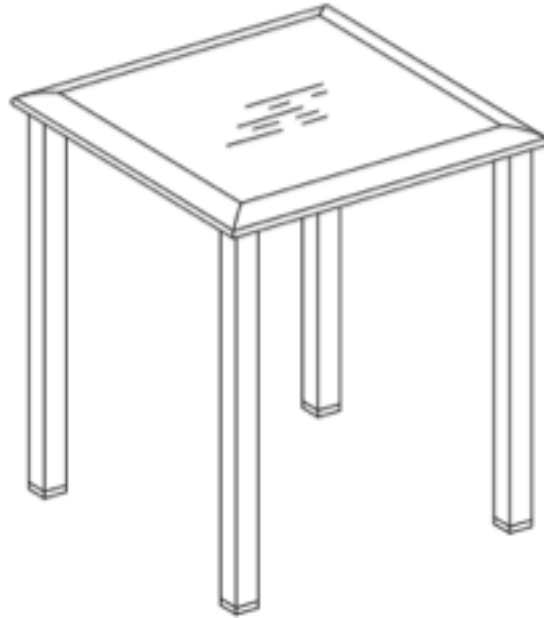
N.B. mesh is not shown on the seat for illustrative purposes

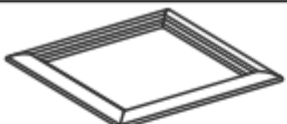

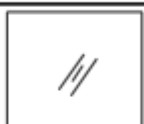
1. Right arm		2PCS	2. Left arm		2PCS
3. Fixed link(A)		4PCS	4. Seat		2PCS
5. Fixed link(B)		6PCS	6. Fixed link(C)		4PCS

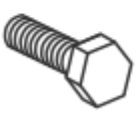

A. Bolt		M6*15 , 32PCS	B. Bolt		M6*35 , 12PCS	C. Wrench		M6 , 1PC	E. Lever		Φ6*120 , 1PC
---------	---	---------------	---------	---	---------------	-----------	--	----------	----------	---	--------------

PARTS LIST

Side Table

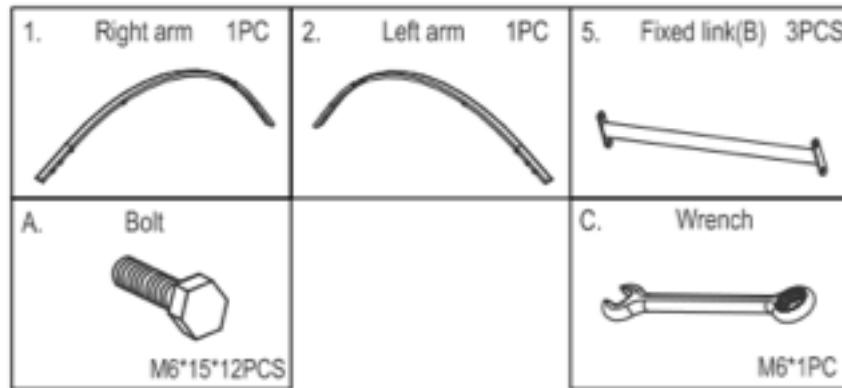


7. Table Top		1PC	8. Legs		4PCS
9. Glass		1PC			

<p>A. Bolt</p>  <p>M6*15*8PCS</p>	<p>C. Wrench</p>  <p>M6*1PC</p>
--	--

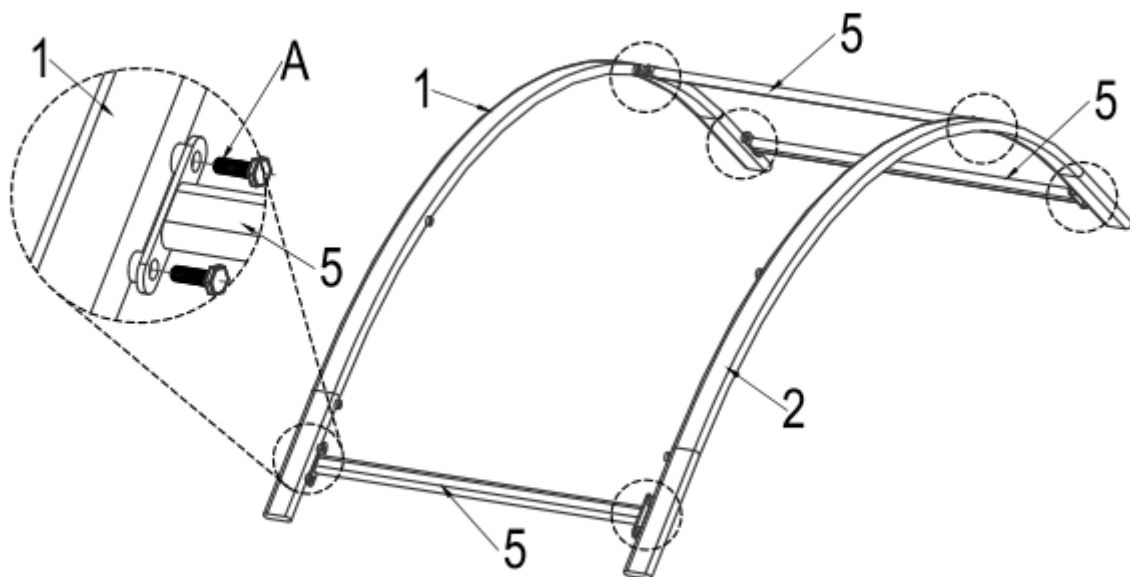
Part A: Sun lounge

You will need the following



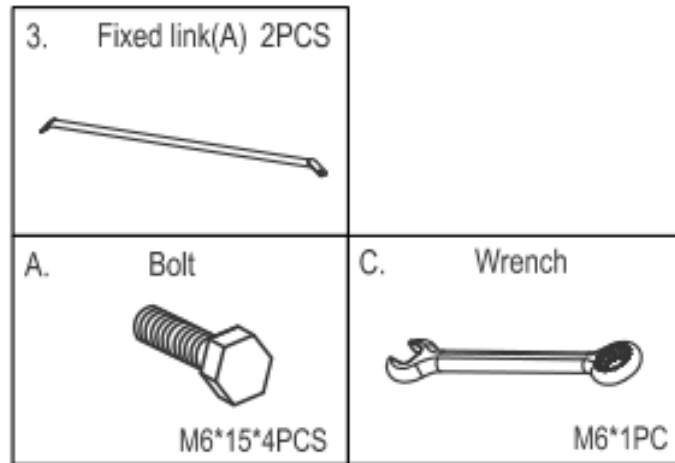
Step 1

- Prepare a floor or benchtop with a protective blanket or cardboard.
- Connect Right Arm(1) to the 3x fixed links(B) part 3, as shown below.
- Secure with 2x bolts(A) for each fixed link. Use Wrench(C).
- Tighten only until the bolt is a little firm in the thread, do not fasten completely.
- Repeat for the Left Arm(2).



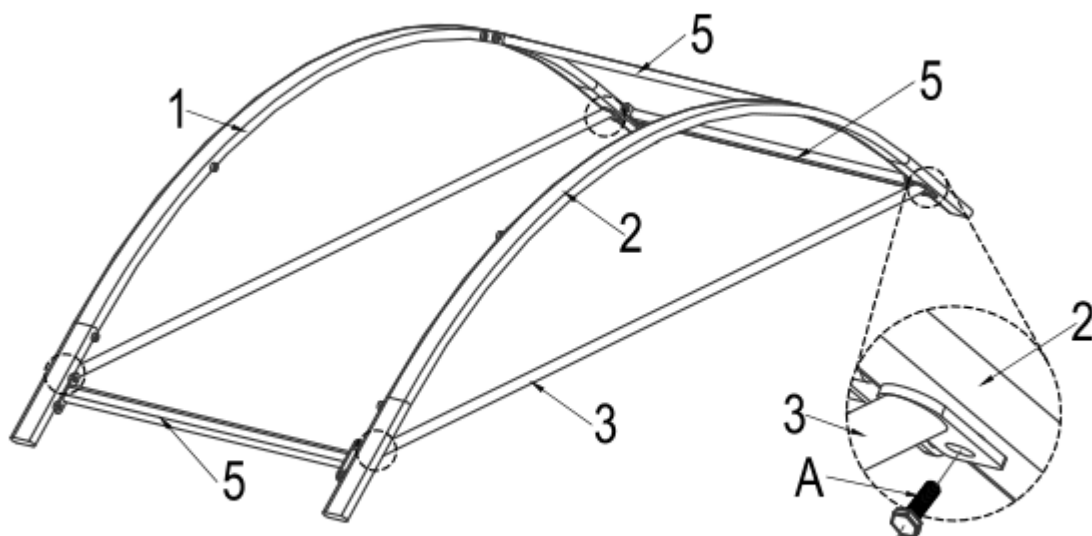
Part A: Sun lounge

You will need the following



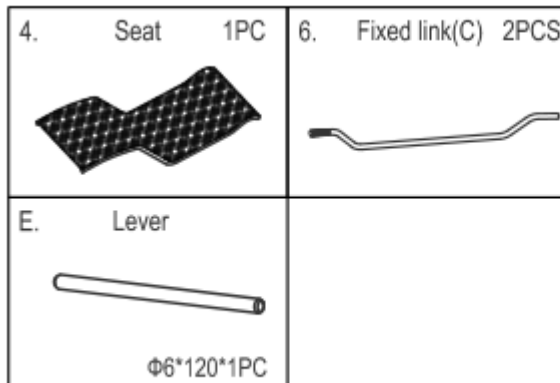
Step 2

- Attached the 2 fixed links(A) part 3, As shown below.
- Secure with 2x bolt (A) at every connection point. Use Wrench(C).
- Tighten only until the bolt is a little firm in the thread, do not fasten completely.



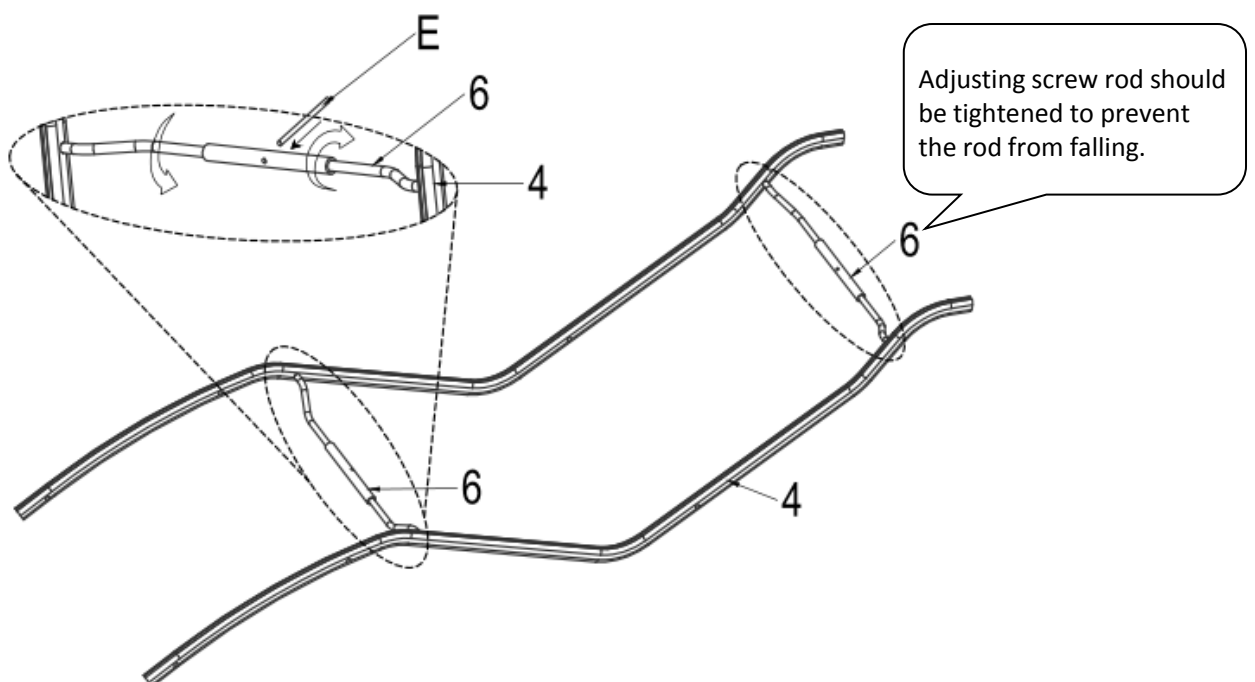
Part A: Sun lounge

You will need the following



Step 3

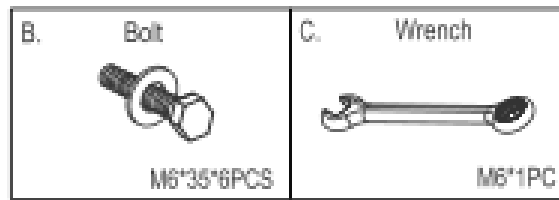
- Spread open the seat.
- Insert the 2 fixed links(A) part 4, As shown below.
- Expand the fixed links(A) part 4, with the lever(E). You will need to rotate the lever, then push the lever through when you have reached the mesh and turn again.
- Expand the seat to around 48cm in width.



N.B. mesh is not shown on the seat for illustrative purposes

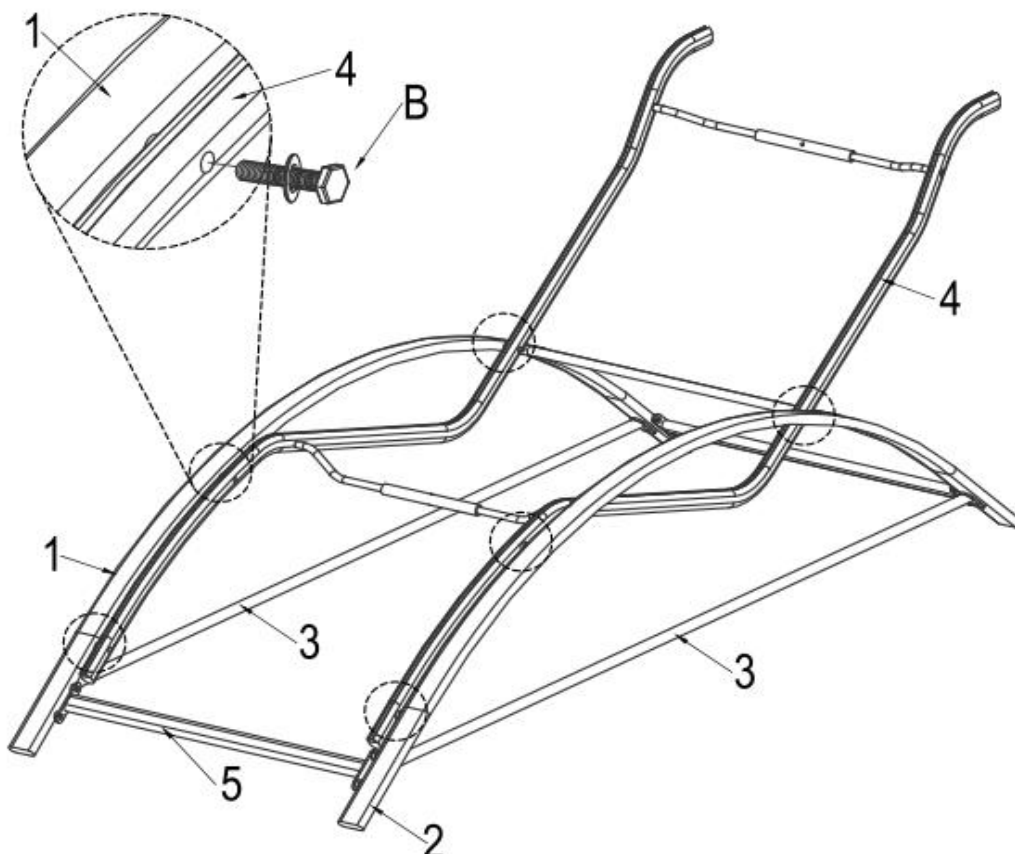
Part A: Sun lounge

You will need the following



Step 4

- With the aide of a 2nd person, insert the seat into the arms, as shown below.
- Secure with a bolt (A) at the 6 connection points shown below. Use Wrench(C).
- Don't overtighten screws or bolts. Only tighten the screws entirely after the product is completely set up and press the four feet flat on the ground.
- If the seat does not fit inside the arms, got back to step 3 to either



Part A: Sun lounge

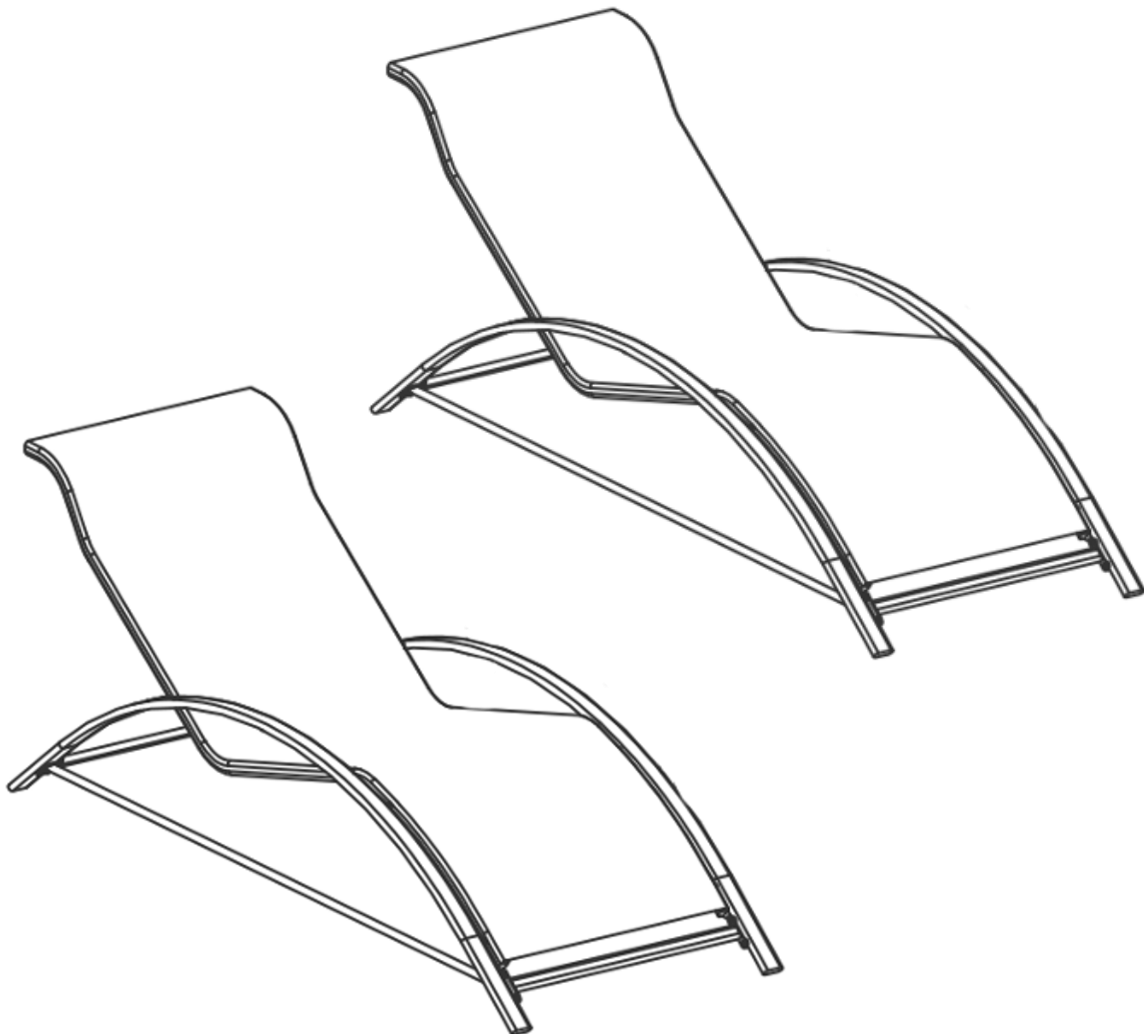
Step 5

- Stand the lounge on a level surface.
- Push down on the arms of the lounge until it levels out. Do not lean beyond your own balance.
- Once level fully fasten all the bolts with wrench(C).
- Do not over tighten, this may damage the product.

Step 6




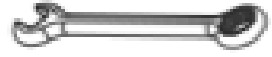
- Repeat for the other sun lounge.

Assembly is complete



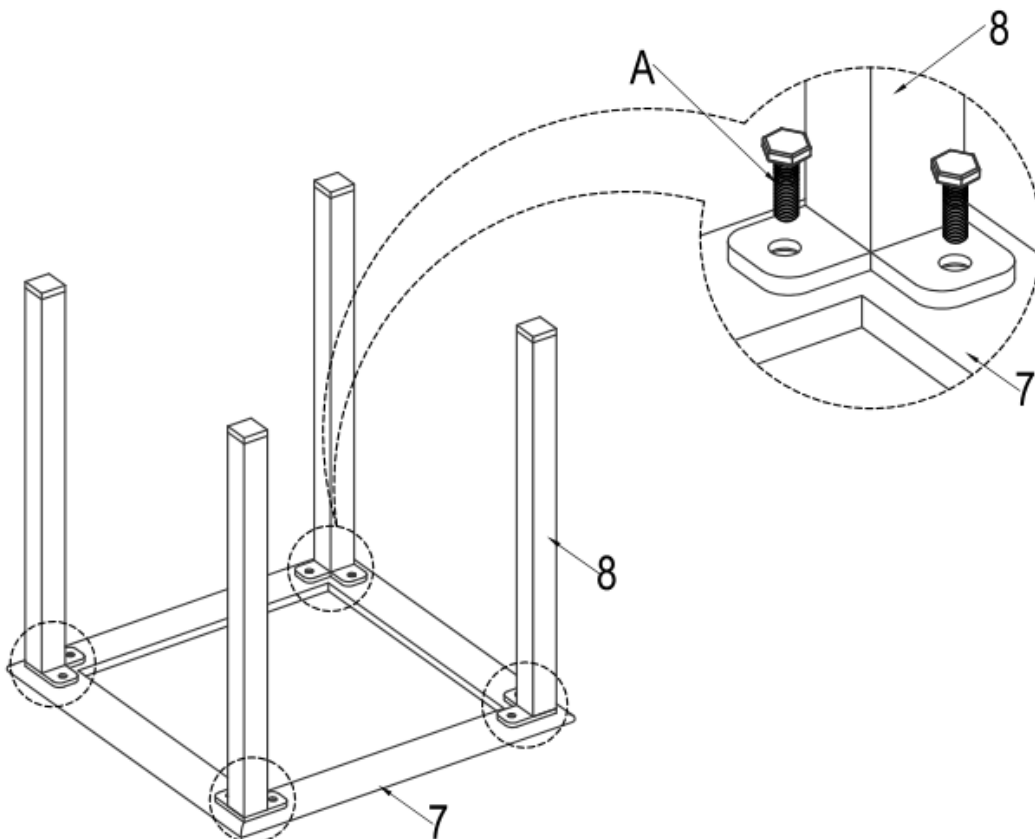
Part B: Side Table

You will need the following

7. Table Top 1PC 	8. Legs 1PC 
A. Bolt  M6*15*8PCS	C. Wrench  M6*1PC

Step 1

- Lay the table top(7) on the pre-prepared surface, upside down with the bolt holes facing up.
- Attach one of the legs(8) to the table top(7). Secure with 2x bolts(A). Fasten with wrench(C).
- Tighten only until the bolt is a little firm in the thread, do not fasten completely.
- Repeat for the other 3 legs.



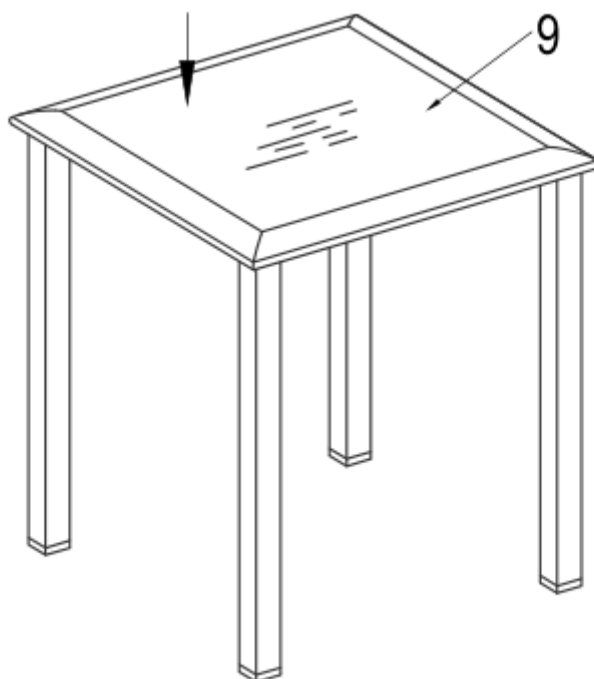
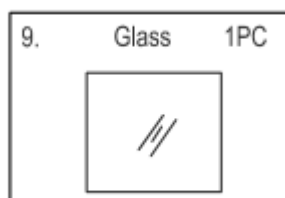
Part B: Side Table

Step 2

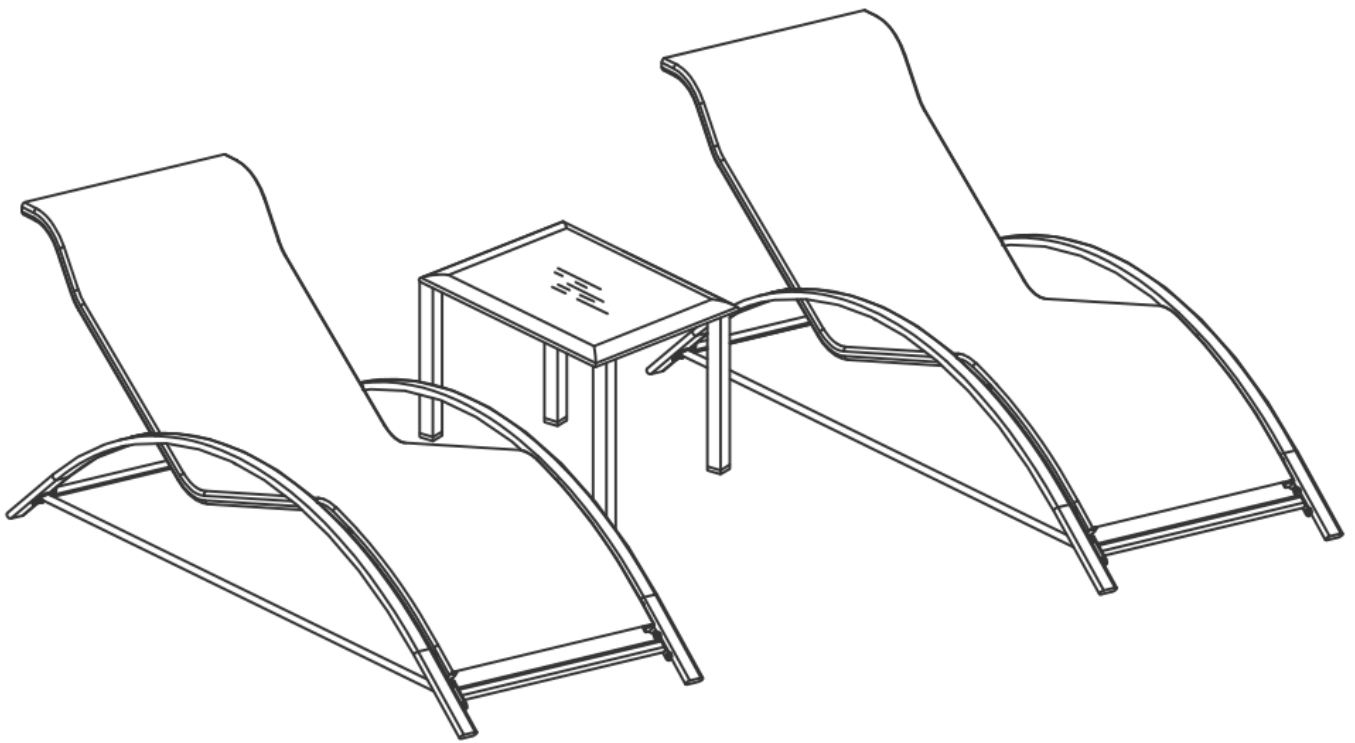
- Stand the table up the right way.
- Push down on the table until it levels out. Do not lean beyond your own balance.
- Once level, turn the table back over, fully fasten all the bolts with wrench(C).
- Do not over tighten, this may damage the product.

Step 3

- Stand the table up the right way.
- Place the tempered glass(9) into the table. As shown below.



Assembly is complete



PRODUCT CARE:

Metal

- ☒ Item is designed for use outdoors. However we do not recommend leaving this product outside when not in use. To preserve the life of this item, avoid prolonged exposure to the elements & store inside/under cover or use an outdoor cover.
- ☒ DO NOT allow the furniture to be left in the rain or left wet for extended periods of time.
- ☒ Wipe furniture Dry immediately after it becoming wet.
- ☒ DO NOT clean your furniture down with any harsh solvents, abrasives or chemicals.
- ☒ To remove dirt and grime, simply rinse with fresh water or periodically clean using a sponge and mild detergent solution as required

Glass

- ☒ If the glass is chipped or broken, stop using the product and consult place of purchase .
- ☒ Do not drop, drag or strike glass .
- ☒ Do not sit or stand upon the glass surface .
- ☒ Do not place very hot or cold items on the glass surface unless adequately thick table mats are used to prevent such items coming in contact with the glass .
- ☒ Do not place heavy objects on glass .
- ☒ Avoid scratching the glass or using as a chopping surface .
- ☒ Do not strike the glass with hard or pointed items .
- ☒ When cleaning the glass panels use a damp cloth with washing up liquid or soft soap if necessary. Do not use washing powders or any other substances containing abrasives since these may scratch the glass.